



An Ovivo Company

## GAS CONTROL

### VAREC BIOGAS Insulating Jackets COLD WEATHER PROTECTION

The Varec Biogas Insulating Jackets provide additional cold weather protection for Varec Biogas safety equipment installed outdoors.

#### Introduction

The Varec Biogas Insulating Jackets provide a cost-effective method to additional cold weather protection for Varec Biogas safety equipment installed outdoors. Digester gas has saturated vapor that is susceptible to freezing when exposed to extreme cold. This can affect the overall plant operation. It can also inhibit the equipment's primary safety function. Varec Biogas can provide tailor-made insulating jackets for safety equipment we manufacture.

#### Construction

The insulating jacket is constructed with a silicone impregnated woven glass cloth lining with a 1" thick, 6-lb density fiber glass insulating material. Through-cover quilting pins provide firm support for the insulation. The pins keep the insulation from shifting inside the liner and jacket. This provides dimensional stability and uniform heat retention. The silicone lining has inside seams and folded closing seams with two parallel rows of stitching.

#### Technical Data

- Tailor Made for many Varec Biogas Products
- Uniform Heat Retention
- Temperatures up to 500° F (Standard)
- Little or No Maintenance



#### Installation

The insulating jacket supplied with the Varec Biogas equipment is fastened and removed using a combination of Velcro and cinch belts. This allows for easy access to the equipment. The following Varec Biogas equipment is typically specified with tailor-made insulating jackets because these items are frequently installed outdoors.

##### **Model 440 - PRESSURE REGULATOR & FLAME TRAP ASSEMBLY**

This unit is typically installed on the gas line header to the waste gas burner. The deflagration flame arrester that comes with this unit is recommended for installation at no more than 15 feet from the potential flame source.

The waste gas burner is installed outdoors, at least 50 feet from any digester or buildings that house gas control equipment. In order to meet the 15 feet recommended installation for the flame arrester, the Model 440 is installed outdoors and requires protection from cold weather conditions.

##### **Model 5810B/ 5820B & 5811B/ 5821B - PRESSURE & VACUUM RELIEF VALVE WITH FLAME ARRESTER**

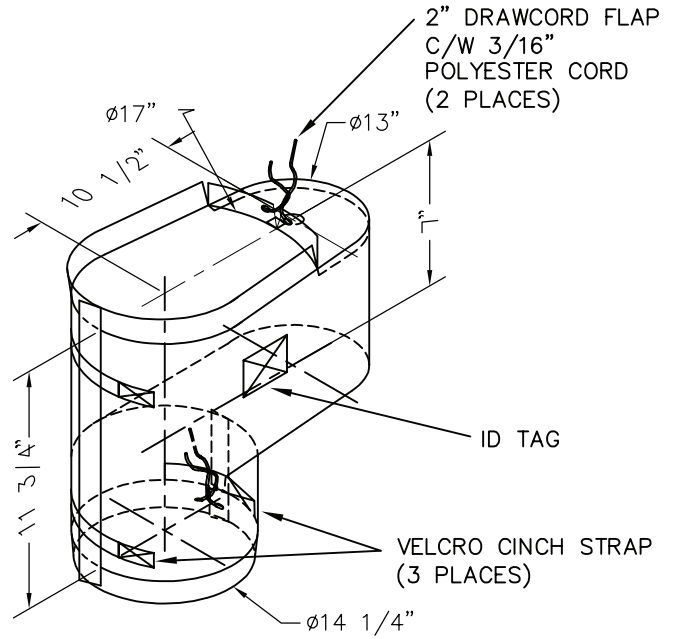
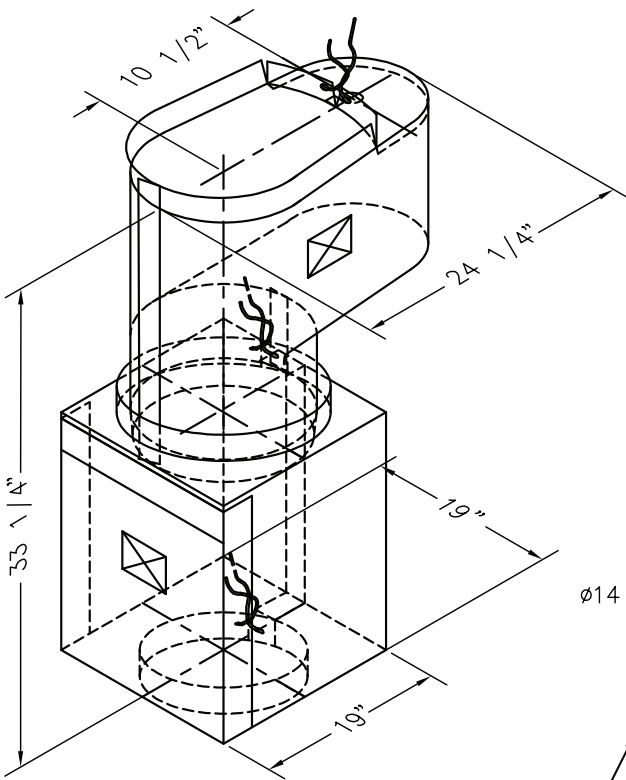
This unit is installed on top of digesters to provide for emergency pressure and vacuum relief. The end-of-line flame arrester prevents any potential flame flashbacks.

**Specifications**

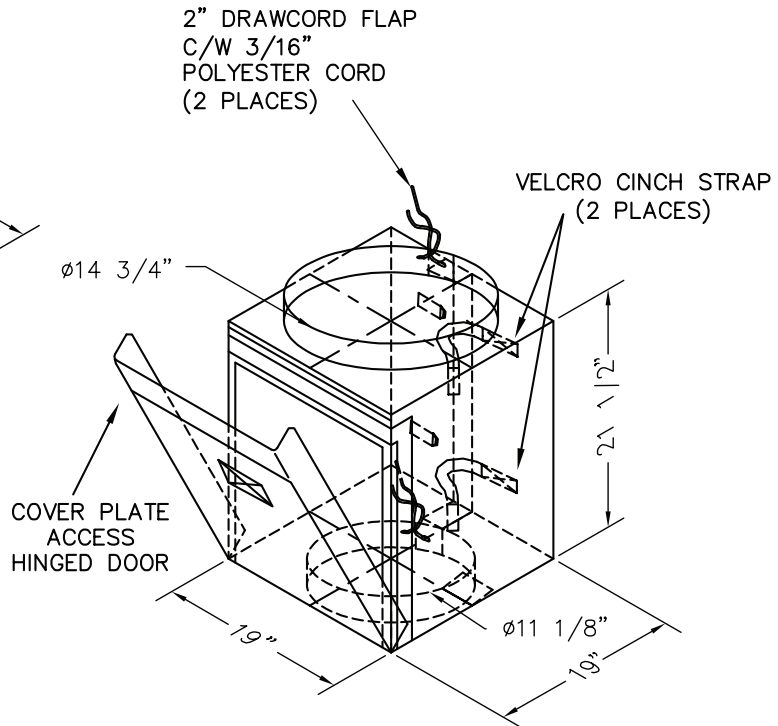
Dimensions are approximate and are shown in inches. Installation, mounting arrangement and dimensions are preliminary general information that is not to be used for construction.

Certified drawings are available for specified equipment.

**5810B/ 5820B/ 5811B/ 5821B**  
**Pressure Relief Valve & Flame Arrester**



**2010B/ 2020B/ 2011B/ 2021B**  
**Pressure Relief Valve**



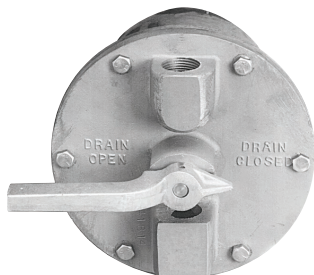
**5000**  
**Flame Arrester**

Consult factory for insulating jacket dimension drawings for other equipment shown in equipment availability guideline.

Equipment Availability Guideline



**MODEL 245**  
Automatic Drip Trap



**MODEL 246**  
Low Pressure Manual Drip Trap



**MODEL 247**  
High Pressure Manual Drip Trap  
MODEL 247AT, Electric Actuated Version  
(Not Shown) can also be provided



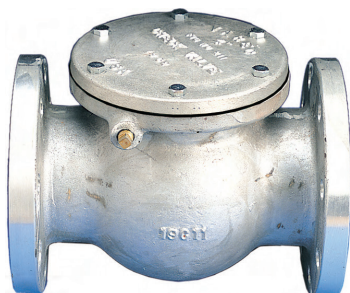
**MODEL 386**  
Back Pressure Regulator



**MODEL 246AT**  
Low Pressure Electric Actuated Drip Trap



**(SSV)**  
Safety Selector Valve



**MODEL 211**  
Low Pressure Check Valve



**MODEL 233**  
Condensate and Sediment Trap

**Equipment Availability Guideline**

**Ordering Information**

Please consult the factory for Insulating Jacket availability for Varec Biogas Equipment not pictured in this guideline. Consult your local sales representative or the factory for ordering information.



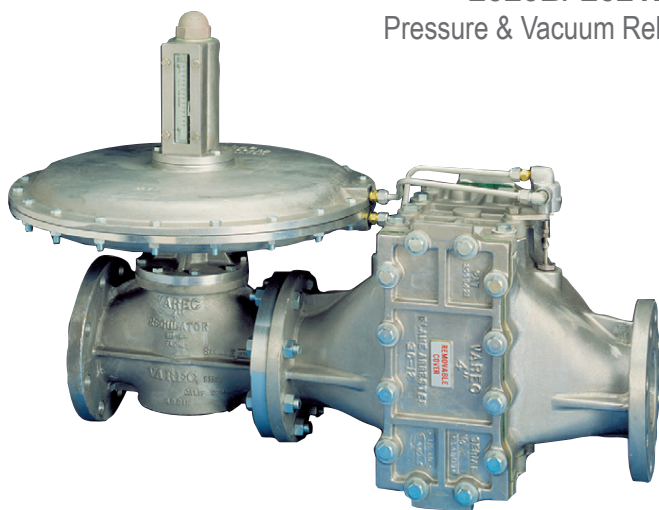
**MODEL 7100B/ 7101B**  
Pressure (Explosion) Relief Valve



**MODEL 2010B/ 2011B**  
**2020B/ 2021B**  
Pressure & Vacuum Relief Valve



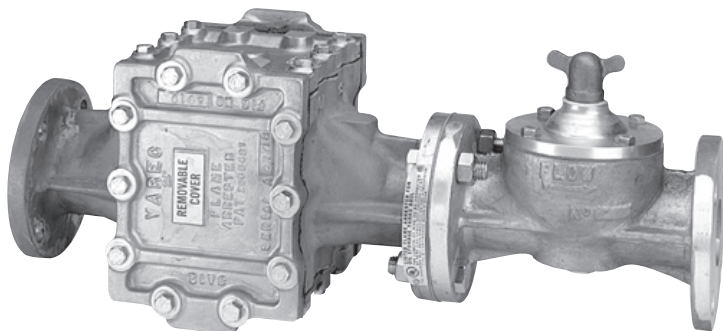
**MODEL 5000/ 5010**  
Flame Arrester  
The Insulating Jacket provides access to the removable cover.



**MODEL 440**  
Pressure Relief and Flame Trap Assembly



**MODEL 5810B/ 5811B**  
Relief Valve and Flame Arrester



**MODEL 450**  
Flame Trap Assembly