

TECHNICAL DATA SHEET

CARTRIDGE

FILTER HOUSING

CF MODELS

GENERAL INFORMATION

CARTRIDGE FILTER HOUSINGS – CF MODELS

PURPOSE

- The Cartridge Filter Housings – CF models (standard models) offer high-quality filtration and are usually used as polishing filter in almost all types of industrial water filtration such as:
 - RO pre-filtration
 - Pharmaceuticals
 - Industrial Water Treatment
 - Food and beverages
- All stainless steel welds are pickled and passivated to remove contaminants and assist in the formation of a continuous chromium-oxide passive film, to prevent rust formation.
- Ovivo Cartridge Filter Housings standard models are available in different diameters and can support 5 to 28 filter cartridges. The feed water goes in the housing and evenly pass through the filter cartridges (outside-in filtration). Particles are captured on the filter cartridges surface and the filtrate is collected at the housing outlet.

INSTALLATION

- The Cartridge Filter Housings – CF models are often skid mounted and shall be installed either indoor or outdoor on level ground.
- The installation and operation of the Cartridge Filter Housings – CF models must follow specific requirements.
- Ovivo's filter housings are compatible with almost every filter media (cartridges) available on the market.
- See operation manual or contact Ovivo for further information.

OPERATION

- There is no specific maintenance on the Cartridge Filter Housings – CF models. The vessel shall be periodically submitted to structural examination.
- A modification of the pressure test of the vessel is not permitted.
- Filter cartridges must be cleaned according to supplier information and/or following Ovivo recommendations.



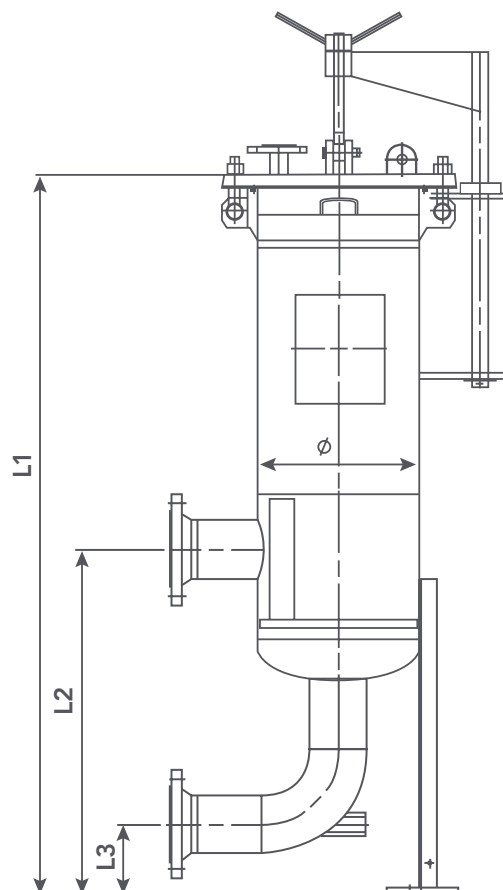
MATERIALS

CF MODELS	
HOUSING	Stainless Steel 316L (1.4404)
BAFFLE PLATE	Stainless Steel 316L (1.4404)
CARTRIDGE HOLDING PLATE	Stainless Steel 316L (1.4404)
SUPPORT RODS, NUTS	Stainless Steel 316L (1.4404)
CARTRIDGE HOLD DOWN PLATE	Stainless Steel 316L (1.4404)

CHARACTERISTICS

CF MODELS		5-30	5-40	8-30	8-40	12-30	12-40	18-30	18-40	22-30	22-40	28-30	28-40
HOUSING DIAMETER	mm inch	220 8.7		270 10.6		325 12.8		410 16.1		460 18.1		510 20.1	
CONNECTION*	mm inch	80 3		80 3		100 4		100 4	150 6		150 6		150 6
TOTAL HEIGHT L1	mm inch	1'493 58.8	1'743 68.6	1'493 58.8	1'743 68.6	1'763 69.4	2'013 79.3	1'767 69.6	2'017 79.4	1'797 70.7	2'047 80.6	1'799 70.8	2'049 80.7
FLANGE POSITION L2	mm inch	690 27.2		690 27.2		690 27.2		690 27.2		720 28.3		720 28.3	
FLANGE POSITION L3	mm inch	190 7.5		190 7.5		140 5.5		140 5.5		170 6.7		170 6.7	

*The size of the connection is variable depending on the flow rate.

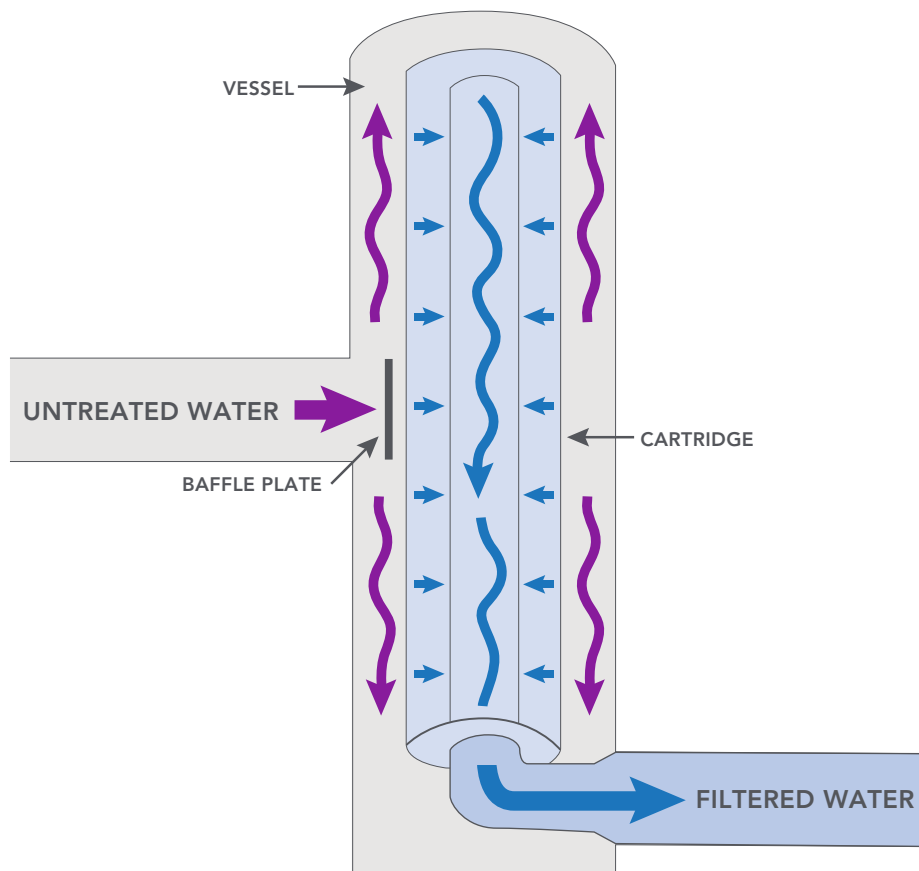


OPERATING PARAMETERS

CF MODELS		5-30	5-40	8-30	8-40	12-30	12-40	18-30	18-40	22-30	22-40	28-30	28-40
MEDIUM		Water											
DESIGN PRESSURE	bar psi	-1 ... 10 -14.5 ... 145											
MAX. ALLOWABLE WORKING PRESSURE	bar psi	-1 ... 10 -14.5 ... 145											
DESIGN TEMPERATURE	°C °F	120 248											
ALLOWABLE WORKING TEMPERATURE	°C °F	0 ... 100 32 ... 212											
NUMBER OF CARTRIDGES		5		8		12		18		22		28	
LENGTH OF CARTRIDGES*	mm inch	750 30	1'000 40	750 30	1'000 40	750 30	1'000 40	750 30	1'000 40	750 30	1'000 40	750 30	1'000 40
NUMBER OF 10" CARTRIDGE ELEMENTS		15	20	24	32	36	48	54	72	66	88	84	112
MAX. FLOW	m ³ /h gpm	23 101	30 132	36 159	48 211	54 238	72 317	81 357	108 476	99 436	132 581	126 555	168 740

*Cartridge Filter Housings for smaller cartridges, such as 10" or 20" are also available on special request.

OPERATING PRINCIPLE



QUALITY

PRESSURE EQUIPMENT DIRECTIVE (PED)

- Designed, developed and manufactured in accordance with the Pressure Equipment Directive - 2014/68/EU, Article 4, paragraph 3 (Sound Engineering Practice).

ASME VIII. DIV.1 (AS ALTERNATIVE TO PED)

- The Cartridge Filter Housings – CF models are designed and manufactured in accordance with ASME VIII. DIV. 1.
- An ASME U-stamp on the pressure vessel is available in option.

OTHER INFORMATION

DISPOSAL	<ul style="list-style-type: none">• Disposal must be in accordance with the appropriate local regulations.• See additional information in the operation manual.
SAFETY ADVICE	<ul style="list-style-type: none">• Pressure hazards: The Cartridge Filter Housings – CF models are operated under pressure. Risk of liquid jets during maintenance work.• Unauthorized modification of the Cartridge Filter Housings – CF models will void warranty. We recommend using only original spare parts for system maintenance.
MANUFACTURER	RAMIVO Manufacturing Hungary Kft. Szabadság utca. 91 7090 Tamási Hungary
GLOBAL KNOWLEDGE CENTRE	Ovivo Switzerland AG Benkenstrasse 262 4108 Witterswil Switzerland

